

**Use** — The 129A is particularly designed for use as a pre-mixing or booster amplifier in speech input and sound systems; it can also be connected for use as a group of "no-gain" low level bridging isolation amplifiers.

**Description** — Four identical two-stage amplifiers with fixed gain, mounted on a common chassis, comprise the 129A unit. Four electrically separate audio channels are provided in which the inputs from four low level sources (microphones or reproducers) are simultaneously and individually amplified prior to mixing. Each input transformer is arranged so that it can be rotated to provide a minimum pick-up from electromagnetic field interference. Cathode resistors are provided to permit tube checks.

**Features**

- High quality pre-mixing and booster amplifier.
- Useful with no-gain low level bridging isolation amplifiers.
- Four electrically separate channels for simultaneous and individual amplification.
- Designed for minimum pick-up from electromagnetic field interference.
- Cathode resistors for tube check circuits.
- Stabilized feedback.

**Typical Specifications**

**Frequency Response:** ±1 db, 50 to 15,000 cycles.

**Output Noise:** —82 dbm.

**Source Impedance:** 30, 250, or 600 ohms matching. For bridging add proper input pad.

**Load Impedance:** 600 ohms.

**Gain:** 41 db (each amplifier).

**Output Power:** Single frequency output power for less than 1 per cent total harmonics: +16 dbm (38 milliwatts) at fundamental frequency of 400 cycles; +13 dbm (200 milliwatts) at fundamental frequency of 50 cycles.

**Power Supply for Complete Amplifier** (4 amplifier units): Filament 6.3 volts, 3.2 amperes a-c or d-c. Plate 275 volts, 30 milliamperes d-c. Two of the pre-amplifiers

can be supplied from one source while the other two are supplied from another. 1.6 amperes filament and 15 milli-amperes plate required for each half of the amplifier. 20 type Rectifier recommended for power supply. A single 20 type Rectifier will supply power for several 129A Amplifiers.

**VACUUM TUBES**

Quantity Required	Western Electric	Commercial Receiver Type
4	348A	1620 (or 6J7)
4		1603
8		

**Mounting:** Designed for console mounting; also for rack mounting on 190B Mounting Plate (one per plate). For panels, see page 95, Components and Accessories.

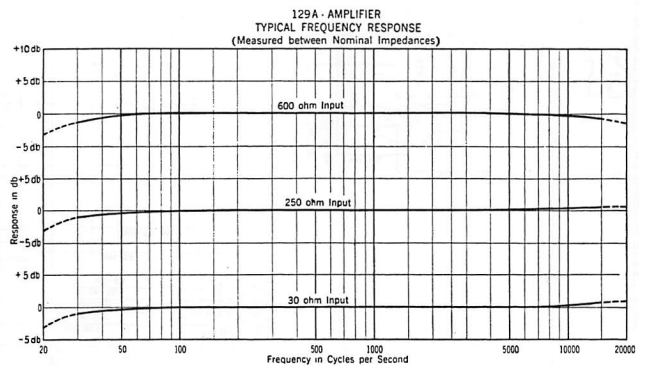
**Weight:** 20¼ pounds.

**Finish:** Light gray.

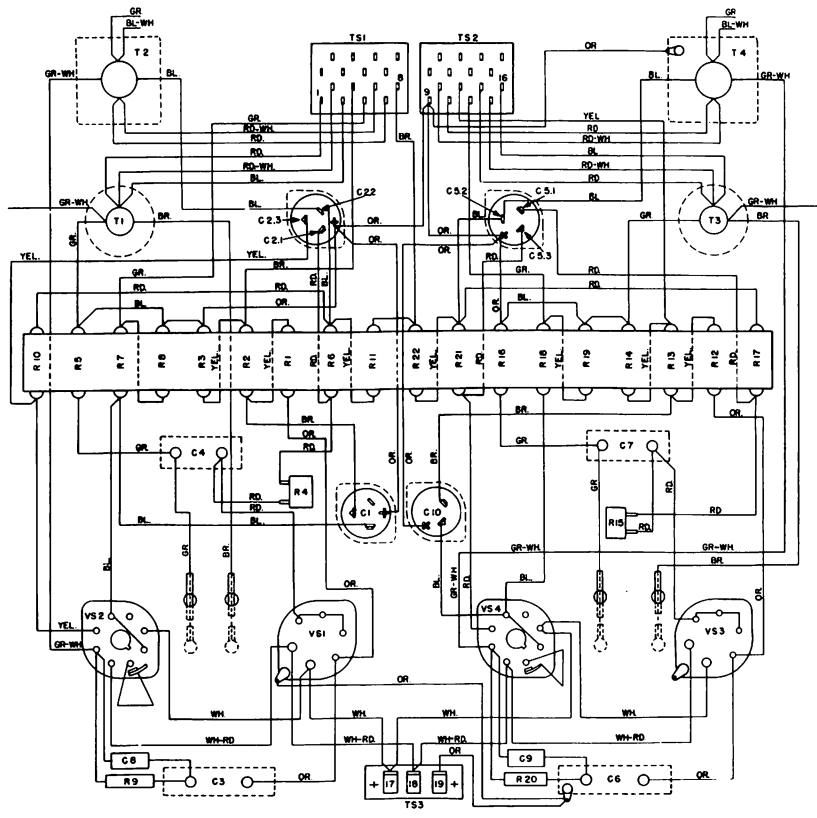
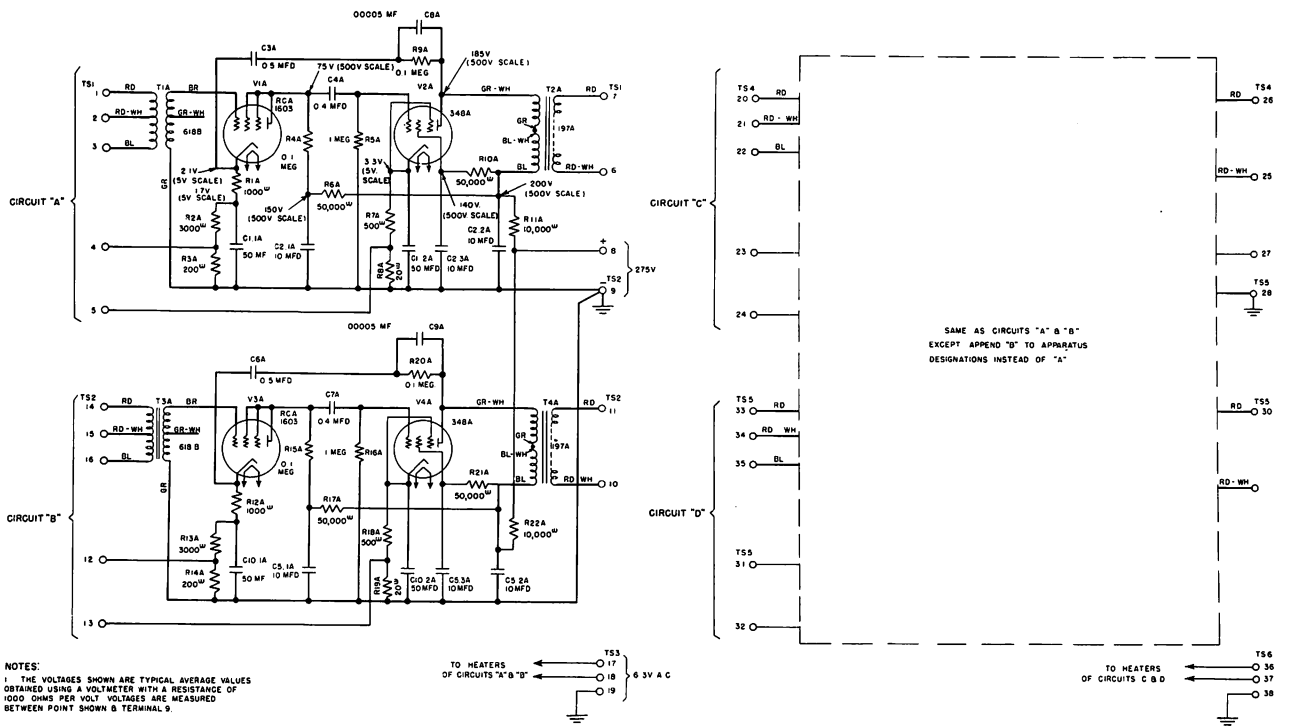
**Accessories:** The following accessory equipment is recommended for use with the 129A Amplifier:

KS-10003 Meter (for measuring plate currents of vacuum tubes).

Western Electric 190B Mounting Plate (one mounts one 129A Amplifier).



**Frequency Response, 129A Amplifier.**



THIS IS ONE-HALF OF THE PANEL WIRING DIAGRAM. THE WIRING FOR THE OTHER HALF OF THE PANEL IS THE SAME.