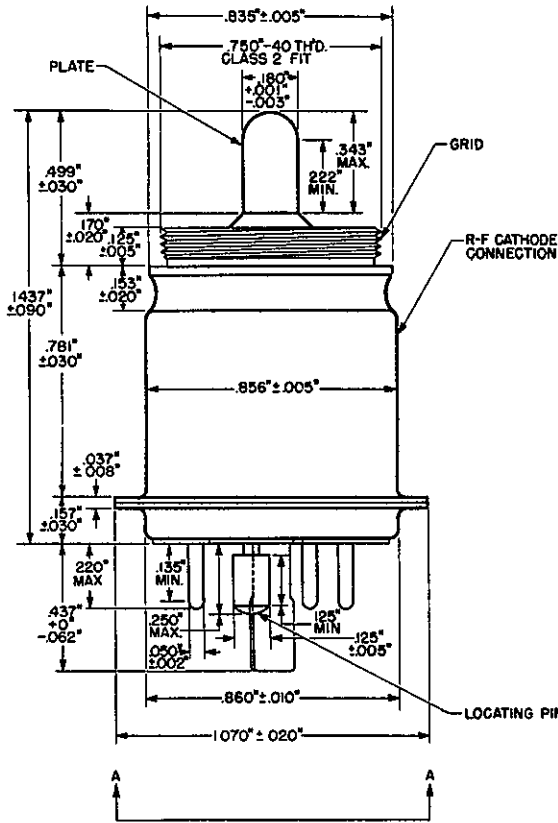


*OK to send to  
Plant Dept.*

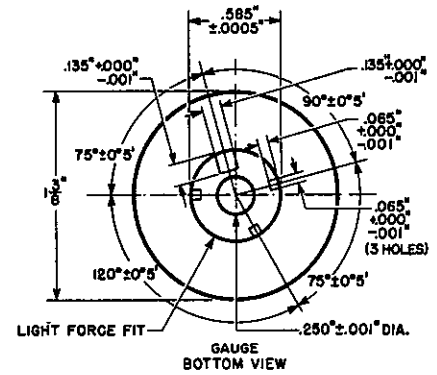
ADVANCE ELECTRON TUBE DATA SHEET

*S.F.H.  
7/25/49*

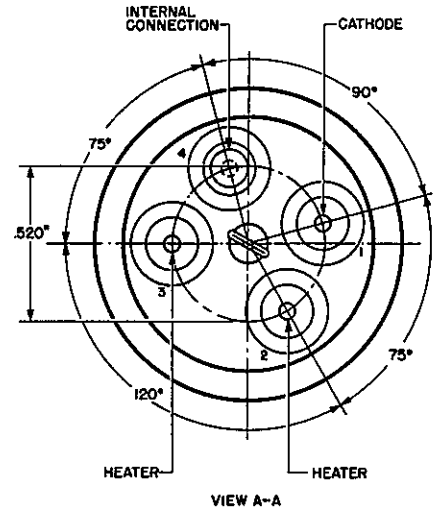
WESTERN ELECTRIC 416 A ELECTRON TUBE



BASE SHALL BE CAPABLE OF BEING INSERTED FREELY INTO A 7/16 THICKNESS GAUGE WITH 5 HOLES DISPOSED AS SHOWN



LIGHT FORCE FIT  
GAUGE  
BOTTOM VIEW



NOTE: SURFACES OF R-F CATHODE, GRID AND PLATE CONNECTIONS GOLD PLATED

DESCRIPTION

The 416A is a disc-seal planar type triode designed for use as an amplifier or frequency multiplier at frequencies in the order of 4000 megacycles.

MAXIMUM RATINGS, ABSOLUTE VALUES

Plate Voltage .....	250	volts
Grid Voltage .....	+1.0	volt
Plate Current .....	33	milliamperes
Grid Current .....	10	milliamperes
Plate Dissipation .....	7.5	watts
Plate Seal Temperature .....	125°	Centigrade
Grid Seal Temperature .....	100°	Centigrade
Heater-Cathode Voltage .....	45	volts

