

NO	1-6
AMPLIFIER	
99A	

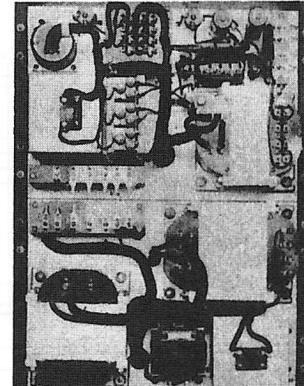
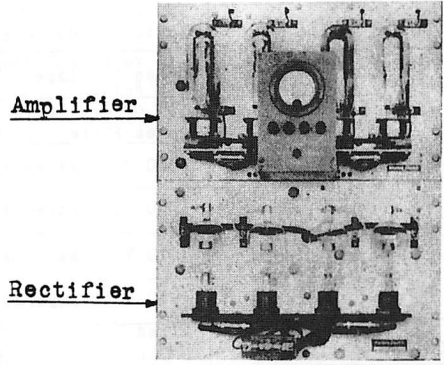
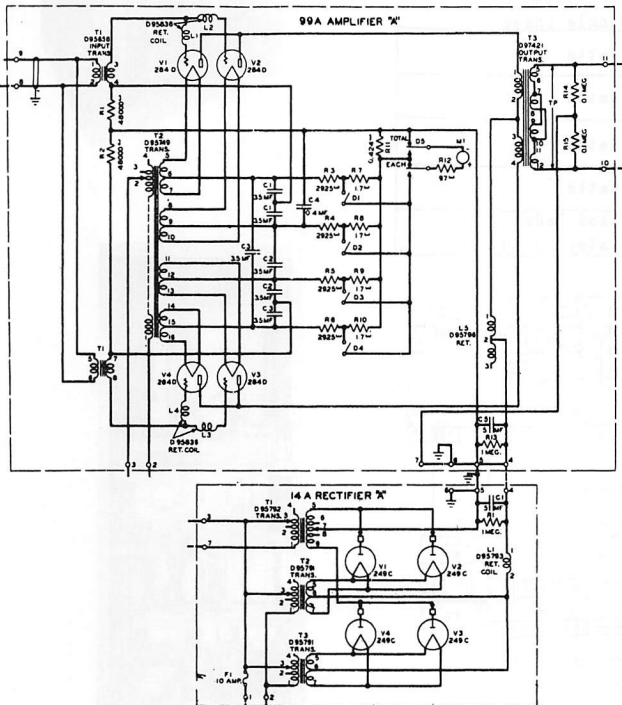
1-18-39

ELECTRICAL CHARACTERISTICS

WITH 14A RECTIFIER

- Gain - - - - - 29 db.
- Operates From - - - - - 125 Ohms
- Internal Input Impedance - - High
- Operates Into - - - - - 32, 125, 280 and 500 ohms
- Internal Output Impedance - 1/5 of Corresponding Load Impedance
- Output Power - - - - - 140 Watts Less than 2% of 3rd Harmonic
- Output Noise - - - - - -22 db Unweighted
- Power Supply - - - - - 115 Volts 60~A.C. { Amplifier Filaments - 1.3 amps.
Rect. Fil's. & Plates - 5.1 amps.
- Gain Control - - - - - None

NOTE A 14A Rectifier must be used with this amplifier to furnish plate power.



Rear View

EQUIPMENT CHARACTERISTICS

	99A AMP.	14A RECT.
WEIGHT - - - -	105 lbs.	105 lbs.
SIZE - - - -	19-1/8" x 12-1/4" x 14-1/2"	19-1/8" x 12-1/4" x 12-13/16"
MOUNTING - - -	Designed to mount in closed type relay rack such as 102 type rack.	