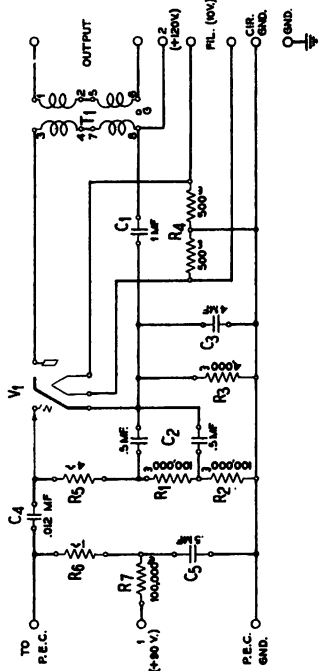




ASO-3697-1, Assoc. with AMPLIFIERS, 62 TYPE

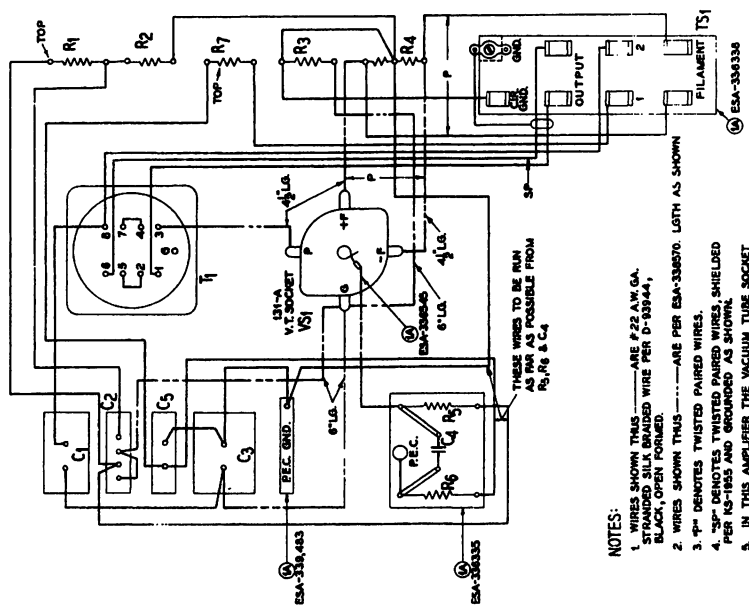
THIS SCHEMATIC IS APPROVED BY THE DESIGN DEPARTMENT, WESTERN ELECTRIC SOUND SYSTEM, NEW YORK, N. Y. DATE 2-20-37

62-A AMPLIFIER
 WIRING DIAGRAM & SCHEMATIC
 WESTERN ELECTRIC SOUND PROJECTOR SYSTEMS
 ELECTRICAL RESEARCH PRODUCTS INC. NEW YORK
 DRAWN BY E. L. COBURN DATE 2-20-37
 CHECKED BY J. W. DAVIS DATE 2-20-37
 SCALE ASO-3697



DESIGNATION	APPARATUS
C1	221-A CONDENSER
C2	141-C CONDENSER
C3	137-A CONDENSER
C4	SANGAMO FIXED COND. 0.12 MF
C5	141-B CONDENSER
R1, R2, R7	34-W RESISTANCE
R3	18-FC RESISTANCE
R4	19-NW RESISTANCE
R5	RESISTANCE PER NS-6376 4A
R6	RESISTANCE PER NS-6376 1A
T1	132-C OUTPUT TRANSFORMER
V1	265-A VACUUM TUBE TO BE ORDERED SEPARATELY

SCHEMATIC



- NOTES:
1. WIRES SHOWN THUS ARE #22 A.W.G.A. UNLESS OTHERWISE SPECIFIED. SHIELDED WIRE PER D-18944, BLACK, OR POLYMER.
 2. WIRES SHOWN THUS ARE PER ESA-38870. BOTH AS SHOWN.
 3. #1 DENOTES TWISTED PAIRED WIRES.
 4. #2P DENOTES TWISTED PAIRED WIRES, SHIELDED PER NS-1955 AND GROUNDING AS SHOWN.
 5. IN THIS AMPLIFIER THE VACUUM TUBE SOCKET TERMINALS ARE USED FOR CONNECTIONS AS FOLLOWS:
 #3--CATHODE
 #4--A.C. FILAMENT
 #5--A.C. FILAMENT
 #6--PLATE

WIRING DIAGRAM

ASO-3697

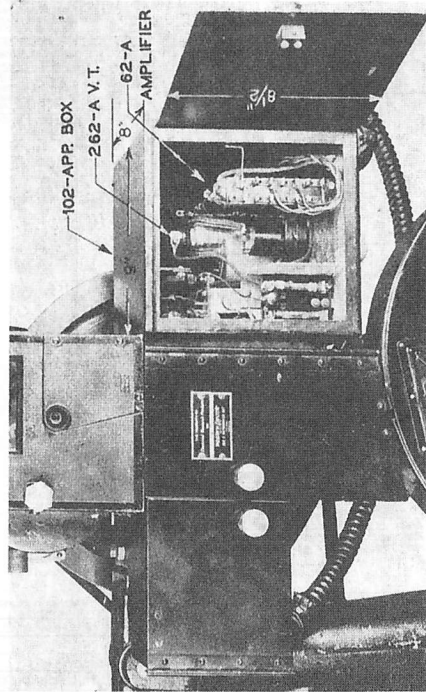


FIG. 1

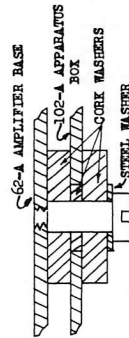


FIG. 2

EQUIPMENT BULLETIN

AMPLIFIERS, 62 TYPE

0. REASON FOR REISSUE - To clarify instructions in Sec. 3.1 and to bring up-to-date.

1. ASSOCIATED DRAWINGS & PHOTOGRAPHS

- ASL-2760 - B-62-A Amplifier, Modification Assembly & Wiring Diagram
- ASL-2761 - B-62-A Amplifier, Schematic
- ASO-5671 - B-62-A Amplifier, Schematic & Wiring Diagram

2. DESCRIPTION

2.1 For tabulated data on 62 type Amplifiers, refer to E.B. "Amplifiers, General", File 4-03.

2.2 62-A Amplifier - This is a single stage PEO Amplifier, designed to mount in the 102-A Apparatus Box associated with the 206-B or 206-E type Reproducer Set. It operates only in conjunction with the 3-A Photoelectric Cell, requires one 262-A Vacuum Tube for operation, and supply voltages of 10V AC (heater), 120V DC (plate), and 90V DC (PEO). It is shown in Figure 1.

262-A VACUUM TUBE - NOT A COMPONENT PART - ORDER SEPARATELY.

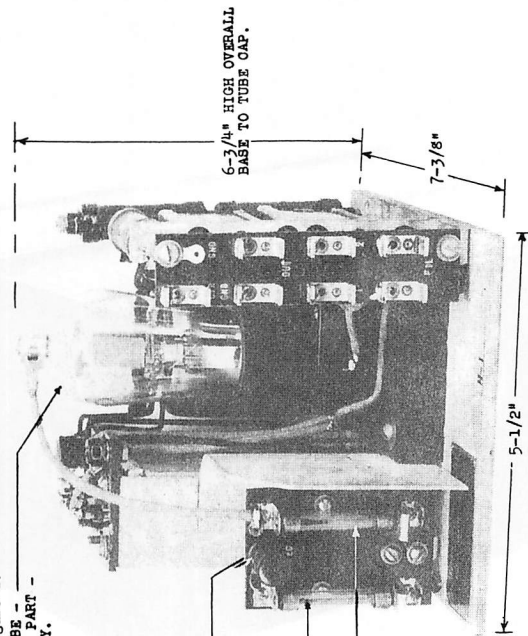


FIG. 1 - 62-A AMPLIFIER

2.3 B-62-A Amplifier (Stores Division Modification, per TA-221) - This is a 62-A Amplifier, modified to permit operation from a 12V DC source for the Vacuum Tube heater supply. In this modification, resistance R4 is disconnected and a 20W Rheostat R8 (screw driver adjustment) is added in series with the heater circuit. The B-62-A Amplifier is chiefly used in Wide Range systems where the main amplifier includes an A-41-0 Amplifier, the latter supplying the horn and film equalization.

3. INSTALLATION

3.1 Mount the 62 type Amplifier in the 102-A Apparatus Box as specified on ASO-6564, associated with the P.E. Reproducer Set, 206-B Type, File 4-35. Make external connection to the amplifier in accordance with the System Drawings. Insert a 262-A Vacuum Tube, connect the anode lead of the 3-A Photoelectric Cell to the "PEO" terminal, and make certain resistances R6 (1 meg.) and R5 (4 meg.) are secure in their clips.

3.2 Adjustment (B-62-A ONLY) - Adjust screw driver rheostat R-8 to provide 10V DC at the "+10V" terminal of the rheostat mounting assembly using the 25V scale of the TA-4147 Test Meter.

4. MERCHANDISING

4.1 The 62-A Amplifier became available in March 1952. The B-62-A Amplifier became available in December 1954. Order as:-

- *One 62-A Amplifier", of,
- *One B-62-A Amplifier".